



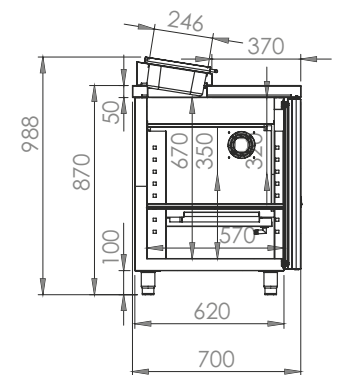
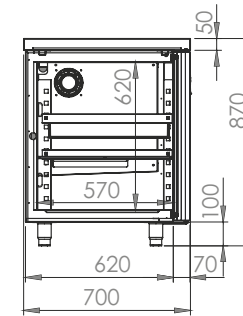
1 2



3



4



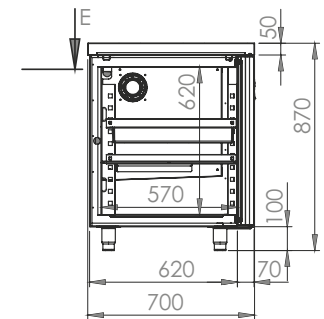
5



6



7



Specifications

CHARACTERISTICS / ΧΑΡΑΚΤΗΡΙΣΤΙΚΑ

- Stainless steel interior & exterior construction
- Polyurethane Ecological insulation
- Health Cooler Pad
- Grids laminated, height adjustable
- Inox Guides for GN basins
- Hinged Doors with automatic reset system
- Limit switch for fan shutdown upon door opening
- Magnetic gaskets [removable]
- Ecological Refrigerant R449a or R290
- Electronic thermostat - thermometer for temperature control
- Automatic defrosting
- Sewerage system including water evaporator
- Cooling Convection
- Static Cooling System

	Models R290	Models R449a	Dimensions (l) x (w) x (h) cm	Vol. (lt)	Power (W)/(hp)	Temp. (°C)	Grid (l) x (w) cm
①	TR-097-TR	TR-097-T	94 x 70 x 99	220	435 / (1/4)	0 / +8	33.5 x 57
②	TR-107-TR	TR-107-T	107 x 70 x 99	250	435 / (1/4)	0 / +8	40 x 57
③	TR-147-TR	TR-147-T	141 x 70 x 99	310	435 / (1/4)	0 / +8	33.5 x 57
④	TR-187-TR	TR-187-T	187 x 70 x 99	370	590 / (3/8)	0 / +8	33.5 x 57
	Models R290	Models R449a	Dimensions (l) x (w) x (h) cm	Vol. (lt)	Power (W)/(hp)	Temp. (°C)	Grid (l) x (w) cm
⑤	TR-14G-GR	TR-14G-G	141 x 70 x 86	260	435 / (1/4)	0 / +8	33.5 x 57
⑥	TR-18G-GR	TR-18G-G	188 x 70 x 86	380	590 / (3/8)	0 / +8	33.5 x 57
⑦	TR-23G-GR	TR-23G-G	235 x 70 x 86	510	590 / (3/8)	0 / +8	33.5 x 57