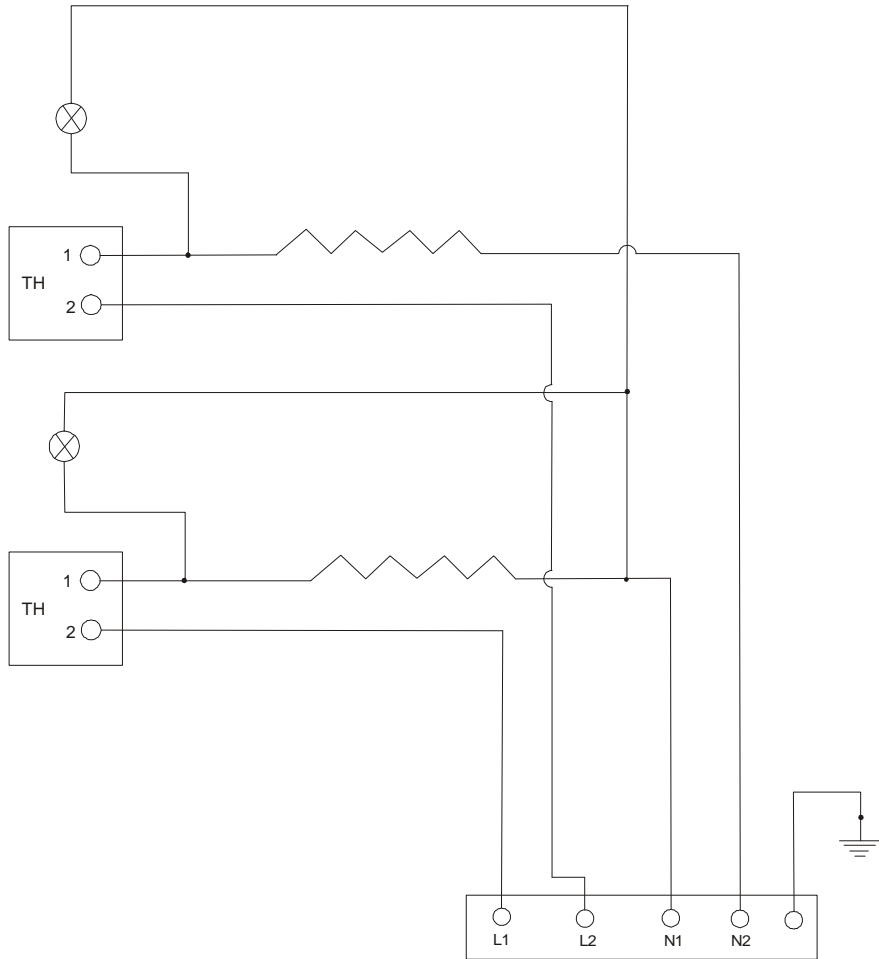
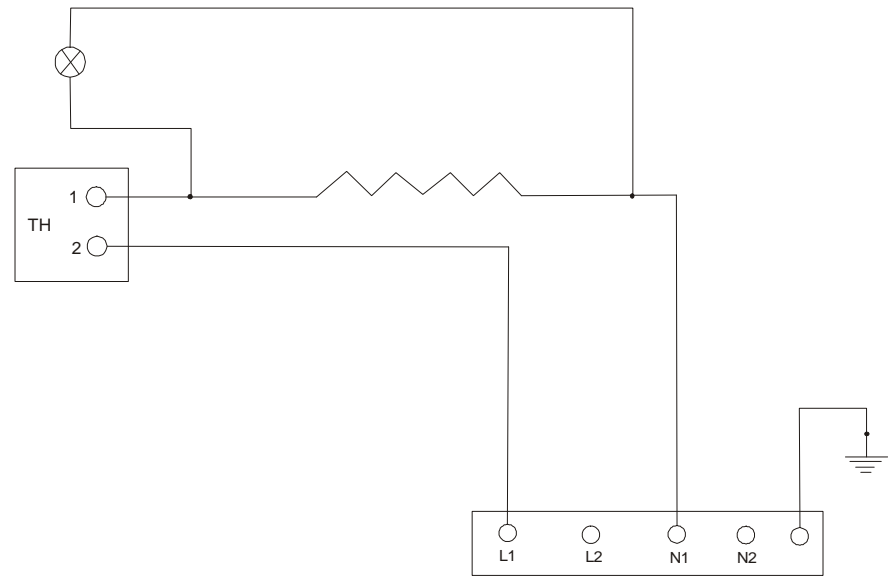



HF2-HF42



HF1-HF41



		CREPE	DATE 22/06/2007		
	NORTH CATERING EQUIPMENTS PRODANAS SOTIRIOS CO National Road Kilkis-Thessaloniki		ELECTRIC DIAGRAM INTERNAL CONNECTION		
	MODELS HF1-HF2-HF41-HF42			No1	