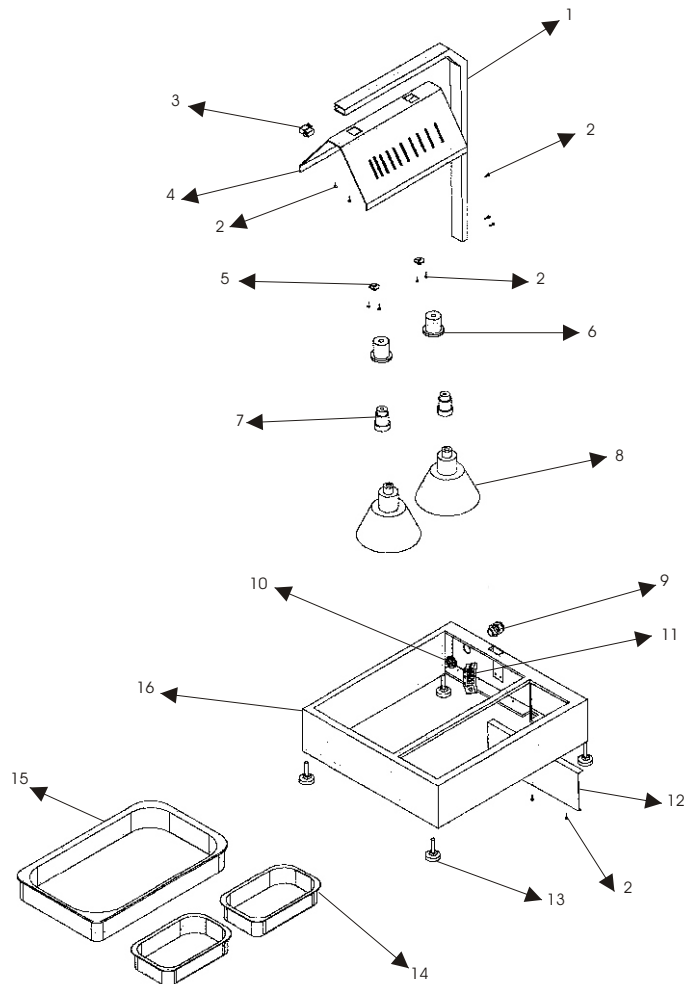


H2



H1/2